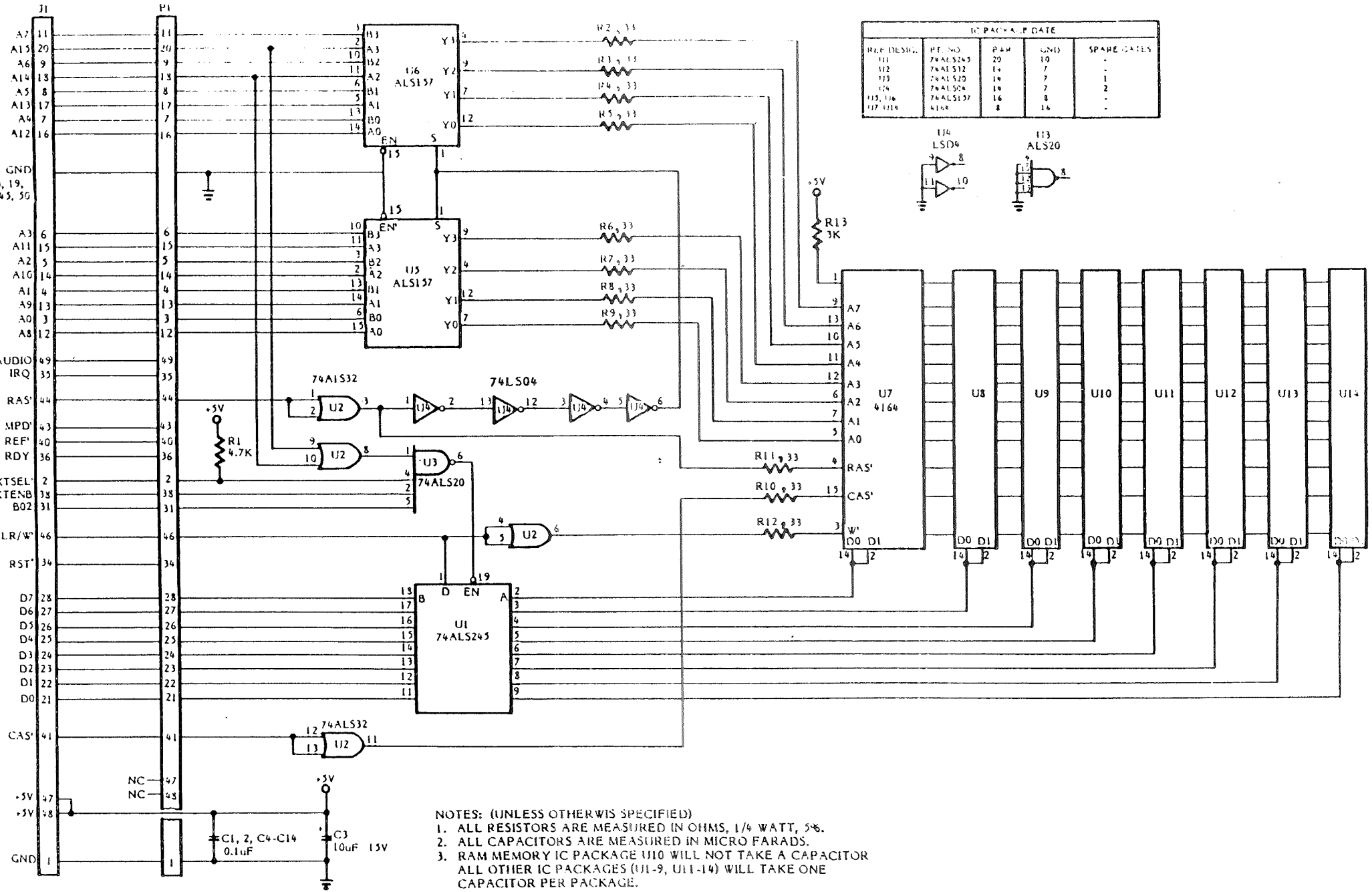
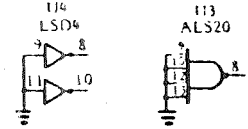


CARD EDGE
TO PBI

CONNECTOR
TO 600XL



IC PACKAGE DATE				
REF. DESIGN.	PT. NO.	PA#	QND	SPARE DATES
U1	74ALS245	20	10	-
U2	74ALS157	14	7	-
U3	74ALS20	14	7	1
U4	74ALS04	14	7	2
U5, U6	74ALS157	16	8	-
U7, U14	4164	8	14	-



NOTES: (UNLESS OTHERWISE SPECIFIED)
 1. ALL RESISTORS ARE MEASURED IN OHMS, 1/4 WATT, 5%.
 2. ALL CAPACITORS ARE MEASURED IN MICRO FARADS.
 3. RAM MEMORY IC PACKAGE U10 WILL NOT TAKE A CAPACITOR
 ALL OTHER IC PACKAGES (U1-9, U11-14) WILL TAKE ONE
 CAPACITOR PER PACKAGE.